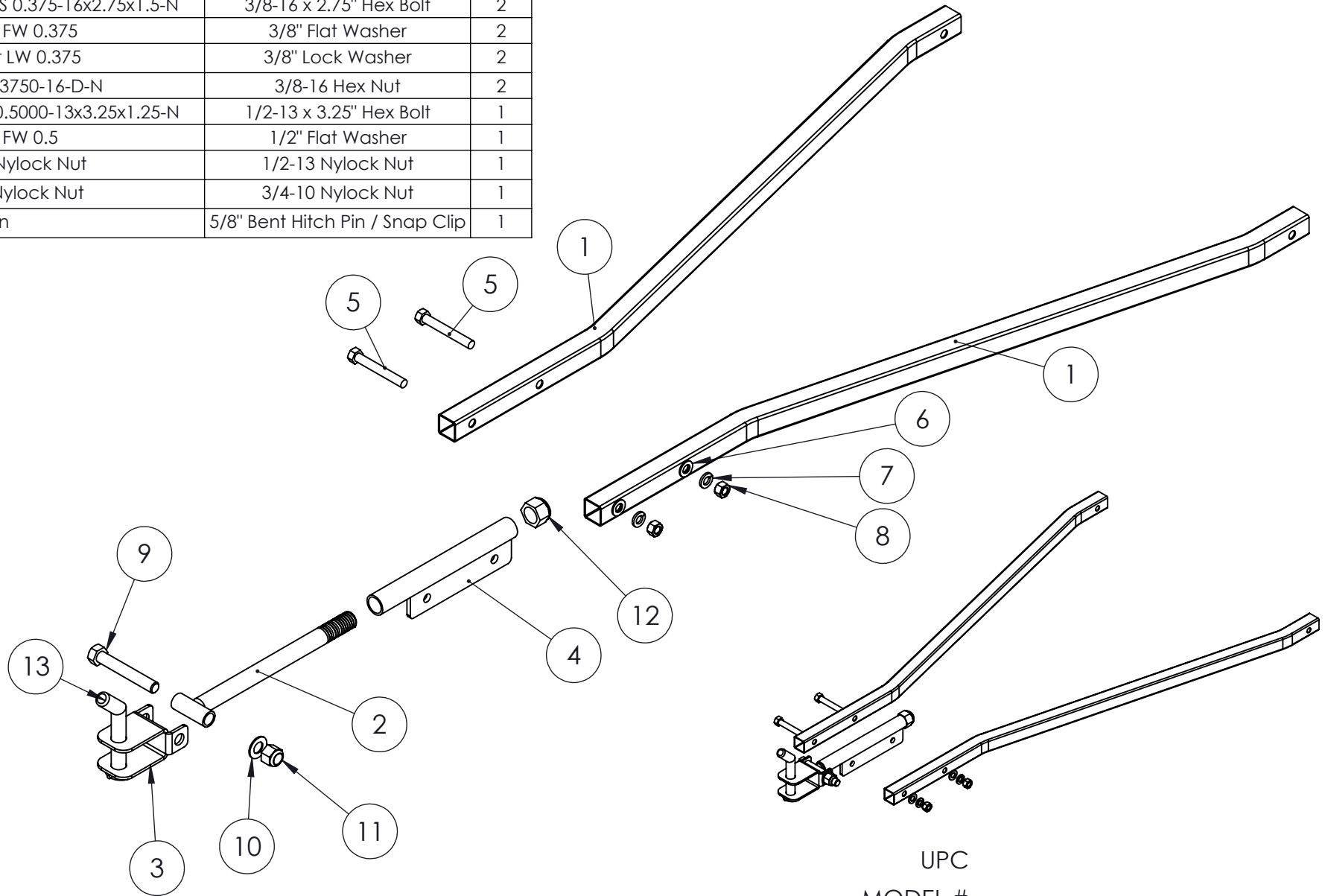




UPC  
MODEL #  
DESCRIPTION: Snow Sled

**MOTOALLIANCE - WWW.MOTOALLIANCE.COM - (866)527-7637**

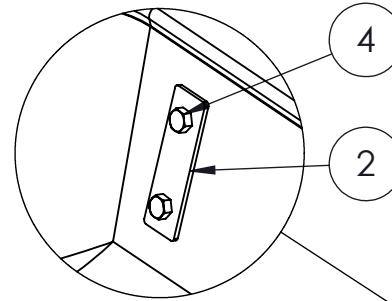
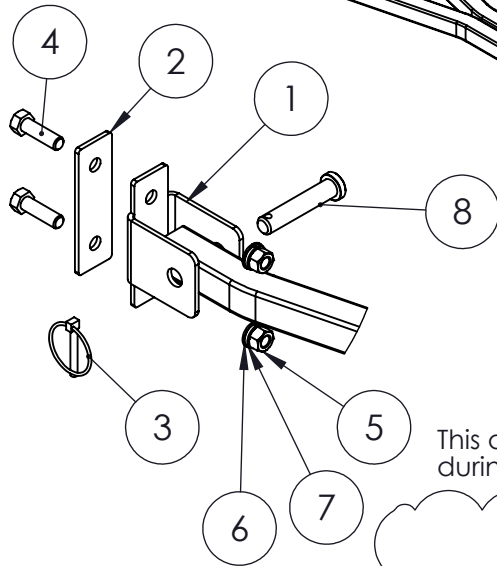
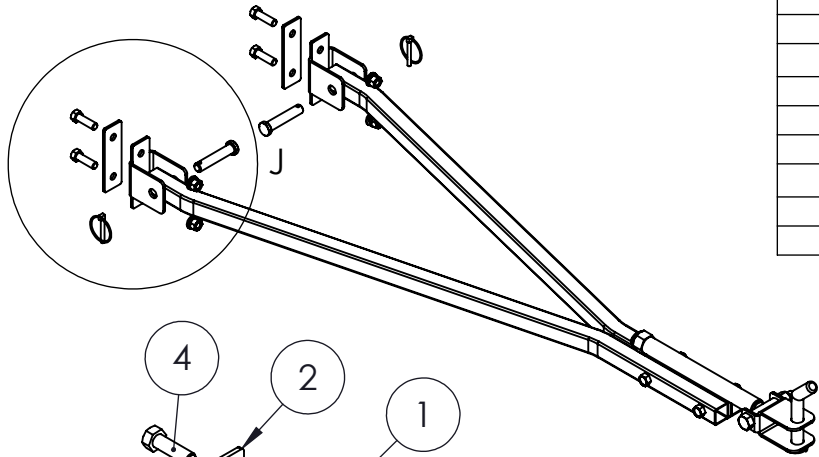
ITEM NO.	PART NUMBER	DESCRIPTION	QTY.
1	SSH100	Pull Tube	2
2	SSH102	Pivot Rod	1
3	SSH105	Pivot Hitch	1
4	SSH101	Pivot Bracket	1
5	IN-HHMS 0.375-16x2.75x1.5-N	3/8-16 x 2.75" Hex Bolt	2
6	Narrow FW 0.375	3/8" Flat Washer	2
7	Regular LW 0.375	3/8" Lock Washer	2
8	HNUT 0.3750-16-D-N	3/8-16 Hex Nut	2
9	HBOLT 0.5000-13x3.25x1.25-N	1/2-13 x 3.25" Hex Bolt	1
10	Narrow FW 0.5	1/2" Flat Washer	1
11	1/2-13 Nylock Nut	1/2-13 Nylock Nut	1
12	.75-10 Nylock Nut	3/4-10 Nylock Nut	1
13	Hitch Pin	5/8" Bent Hitch Pin / Snap Clip	1



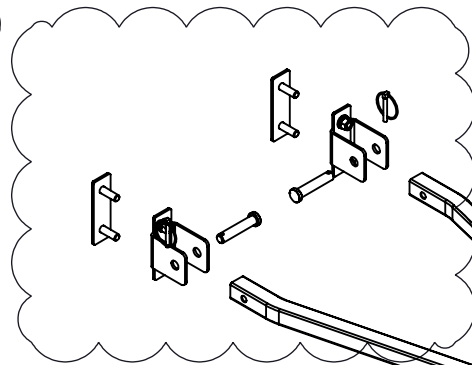
**MOTOALLIANCE - WWW.MOTOALLIANCE.COM - (866)527-7637**

UPC  
 MODEL #  
 DESCRIPTION: Assembled Tow Hitch

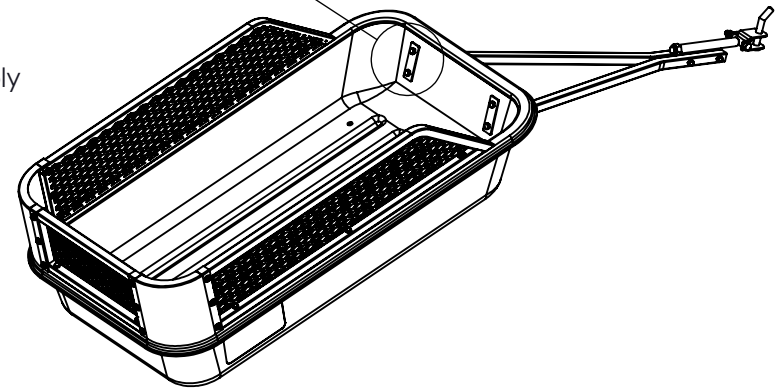
ITEM NO.	PART NUMBER	DESCRIPTION	QTY.
1	SSH104	Swivel Bracket	2
2	SSH106	Backer Plate	2
3	Lynch Pin	Lynch Pin 5/32" Dia.	2
4	HBOLT 0.3750-16x1.25x1-N	3/8-16 x 1.25" Hex Bolt	4
5	HNUT 0.3750-16-D-N	3/8-16 Hex Nut	4
6	Narrow FW 0.375	3/8" Flat Washer	4
7	Regular LW 0.375	3/8" Lock Washer	4
8	.50 Pin	1/2" Dia. x 2.50" Pin	2
9	SSH201	Assembled Tow Hitch	1



This assembly happens during final assembly during installation on Plastic Tub.



DETAIL J  
SCALE 1 : 5

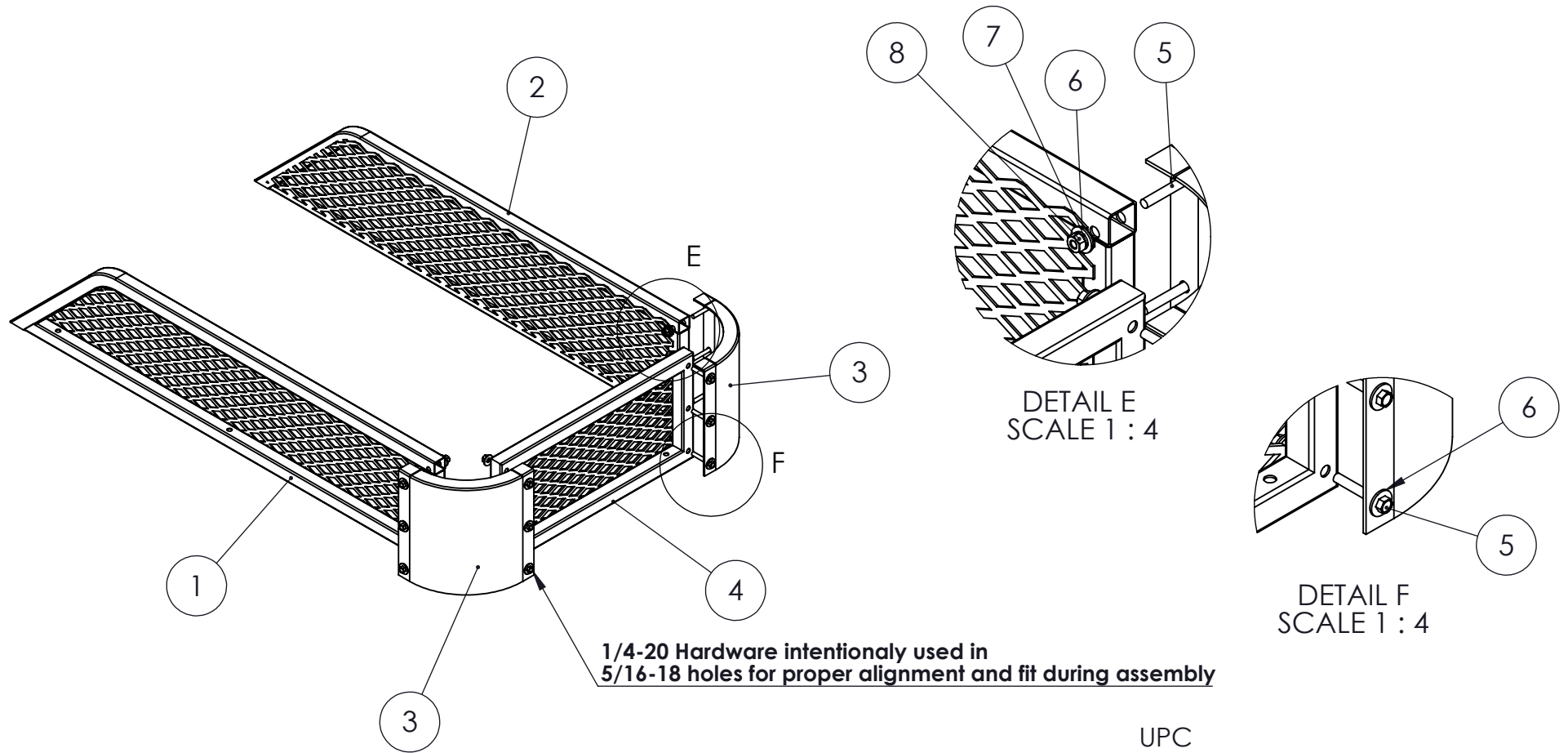


UPC  
MODEL #

ITEM NO.	PART NUMBER	DESCRIPTION	QTY.
1	ITA503	Left Side Rail	1
2	ITA504	Right Side Rail	1
3	ITA200	Corner Brackets	2
4	ITA-308	Front Rail	1
5	IN-HHMS 0.25-20x1.75x1.75-N	1/4-20 x1.75" Hex Bolt	12
6	Regular FW 0.25	1/4" Flat Washer	24
7	Regular LW 0.25	1/4" Lock Washer	12
8	HNUT 0.2500-20-D-N	1/4-20 Hex Nut	12

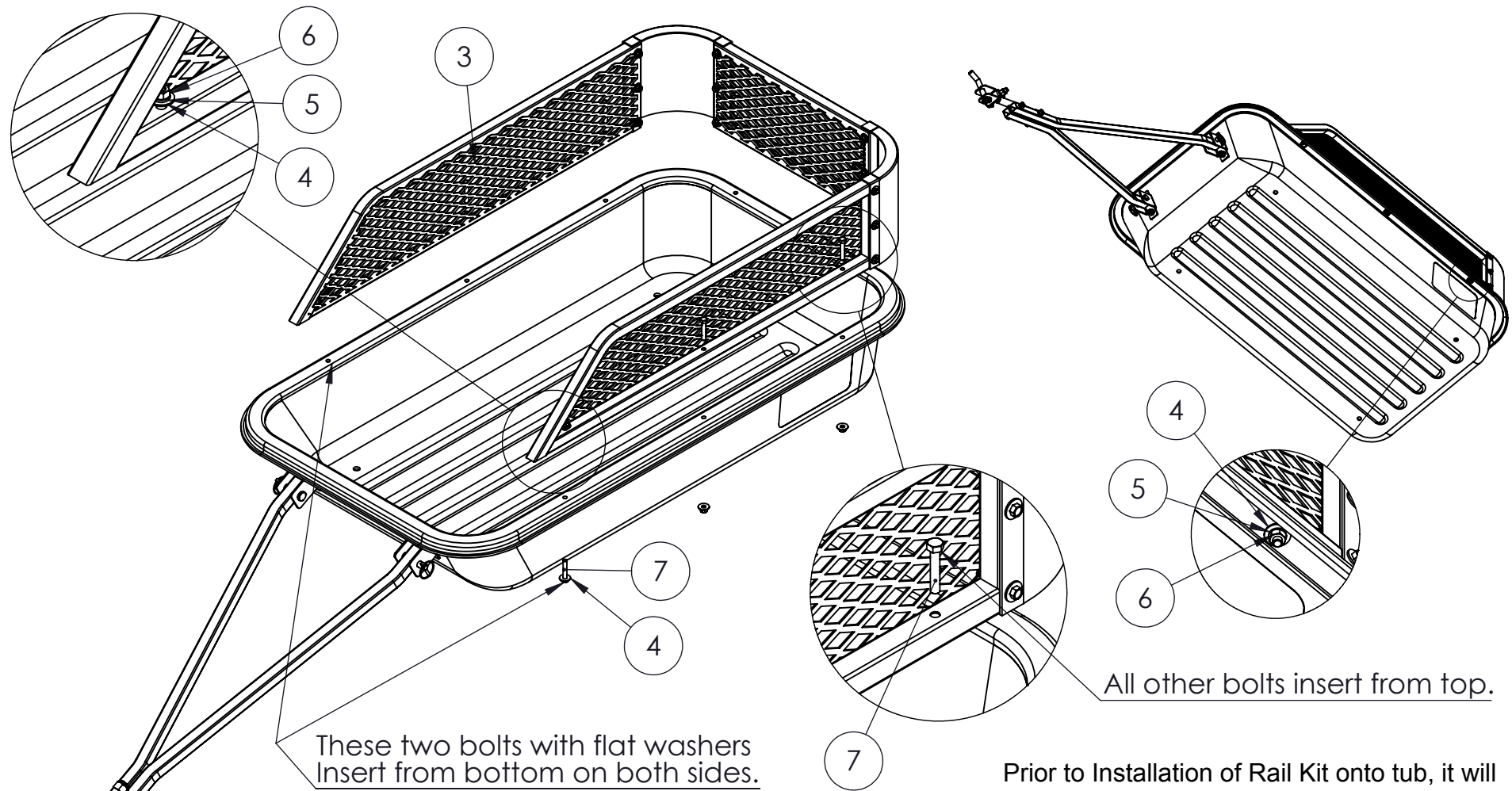
**Note:**

While assembling the rail kit, do not fully tighten all hardware until the rail kit is installed onto the poly tub.



DETAIL E  
SCALE 1 : 4

DETAIL F  
SCALE 1 : 4



These two bolts with flat washers insert from bottom on both sides.

All other bolts insert from top.

Prior to Installation of Rail Kit onto tub, it will be required to drill (8) 3/8" dia. holes in tub. Hole locations to be located at indents in the top surface of the Poly Tub.

Once holes have been drilled in plastic tub, and rail kit hardware is installed, then proceed to tighten all hardware.

ITEM NO.	PART NUMBER	DESCRIPTION	QTY.
2	SSH300	Snow Sled Hitch	1
2	IT104	Trailer Tub	1
3	ITA505	Trailer Side Extensions	1
4	Regular FW 0.3125	5/16 Flat Washer	10
5	Regular LW 0.3125	5/16 Lock Washer	8
6	HNUT 0.3125-18-D-N	5/16 Hex Nut	8
7	HBOLT 0.3125-18x1.75x0.875-N	5/16-18 x 1.75" Hex Bolt	8

UPC

MODEL #

DESCRIPTION: Snow Sled